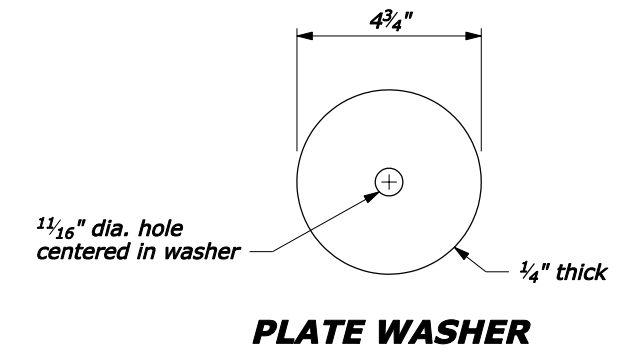
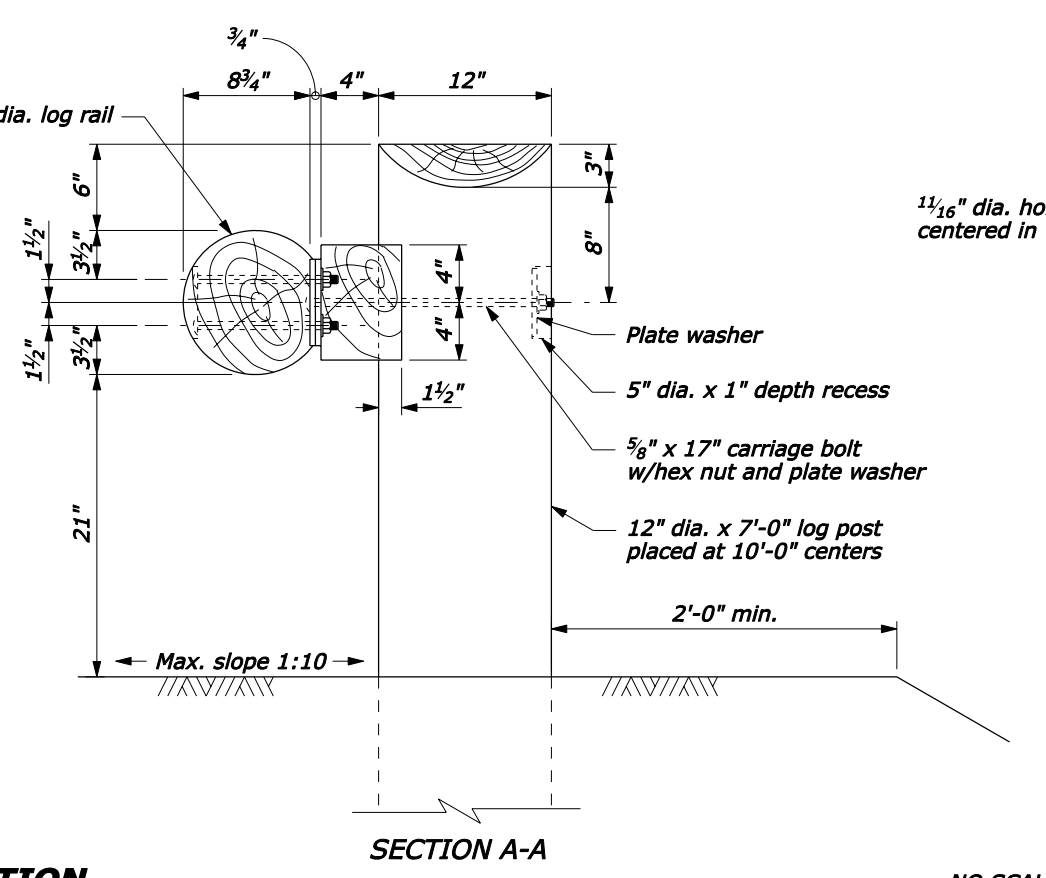
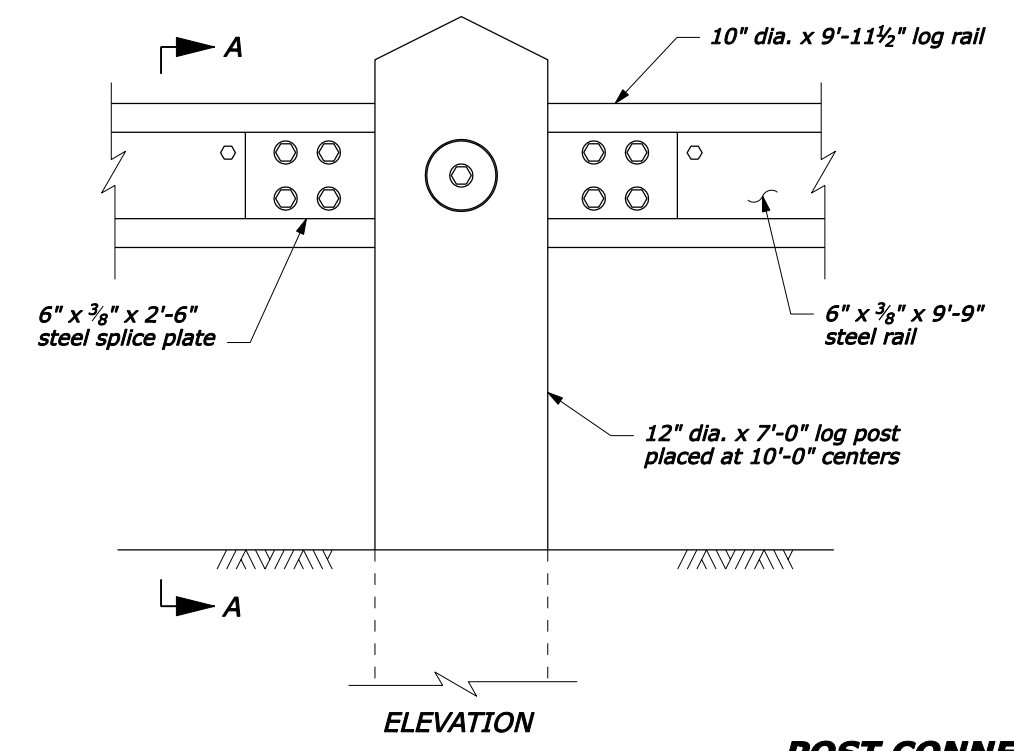
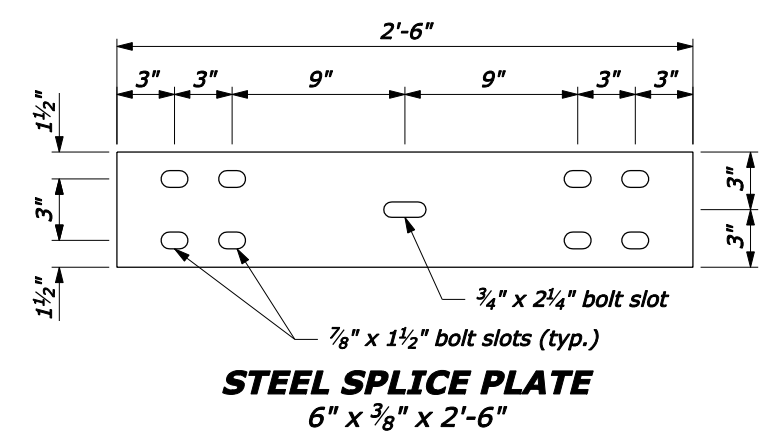
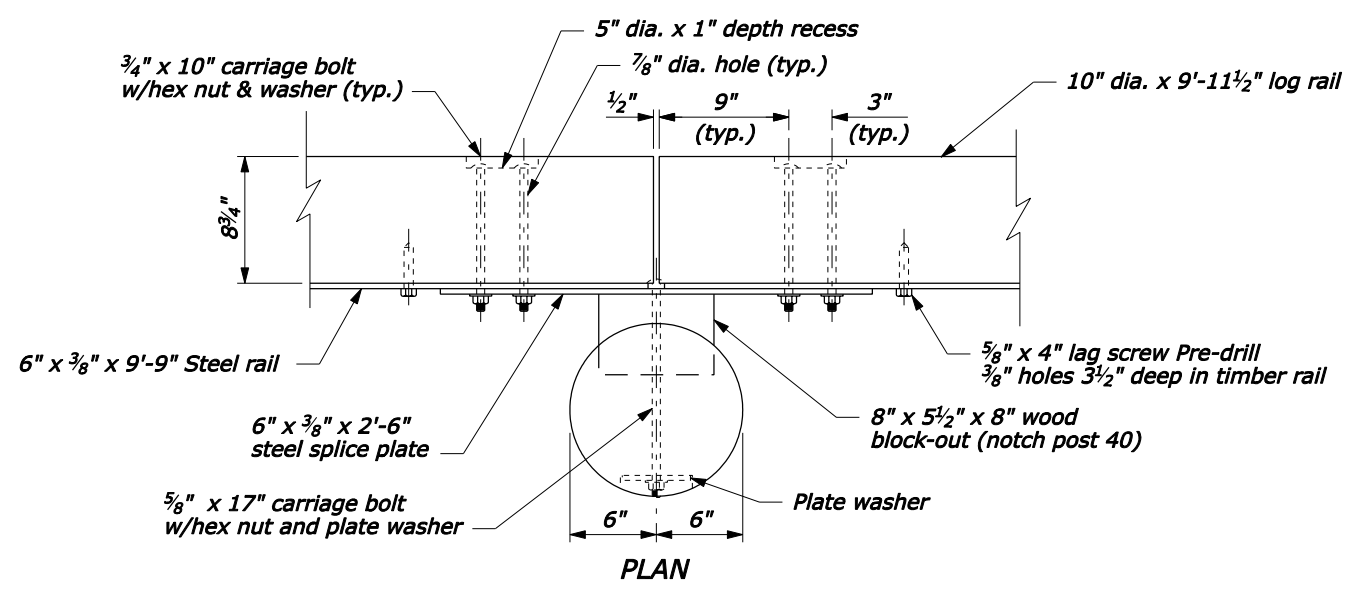


NOTE:
1. For details of the wood block-out, post notch, and general notes for Steel-Backed Log Guardrail. See Standard 617-81.



U.S. DEPARTMENT OF TRANSPORTATION FEDERAL HIGHWAY ADMINISTRATION FEDERAL LANDS HIGHWAY	
U.S. CUSTOMARY STANDARD	
STEEL-BACKED LOG RAIL	
STANDARD APPROVED FOR USE 6/2005	STANDARD
REVISED:	617-80

NO SCALE