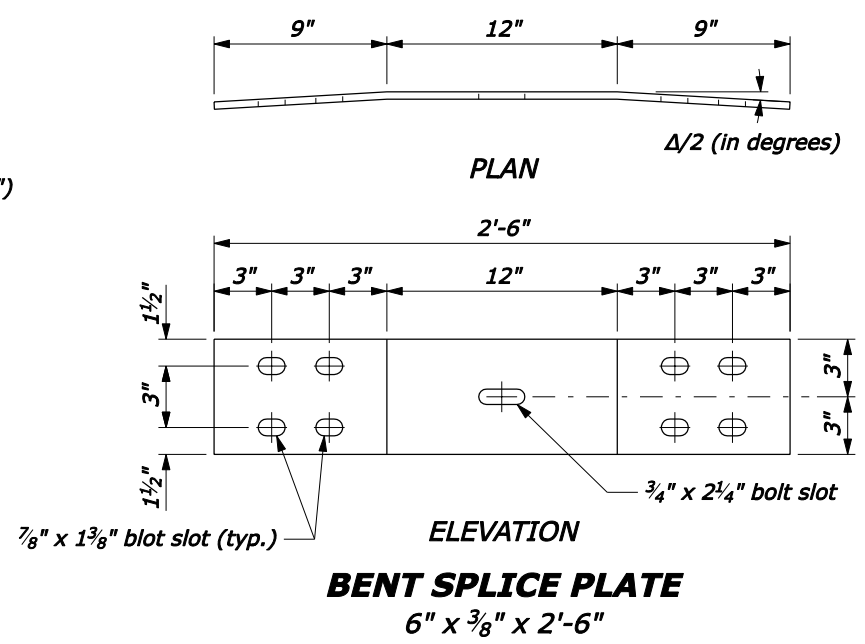
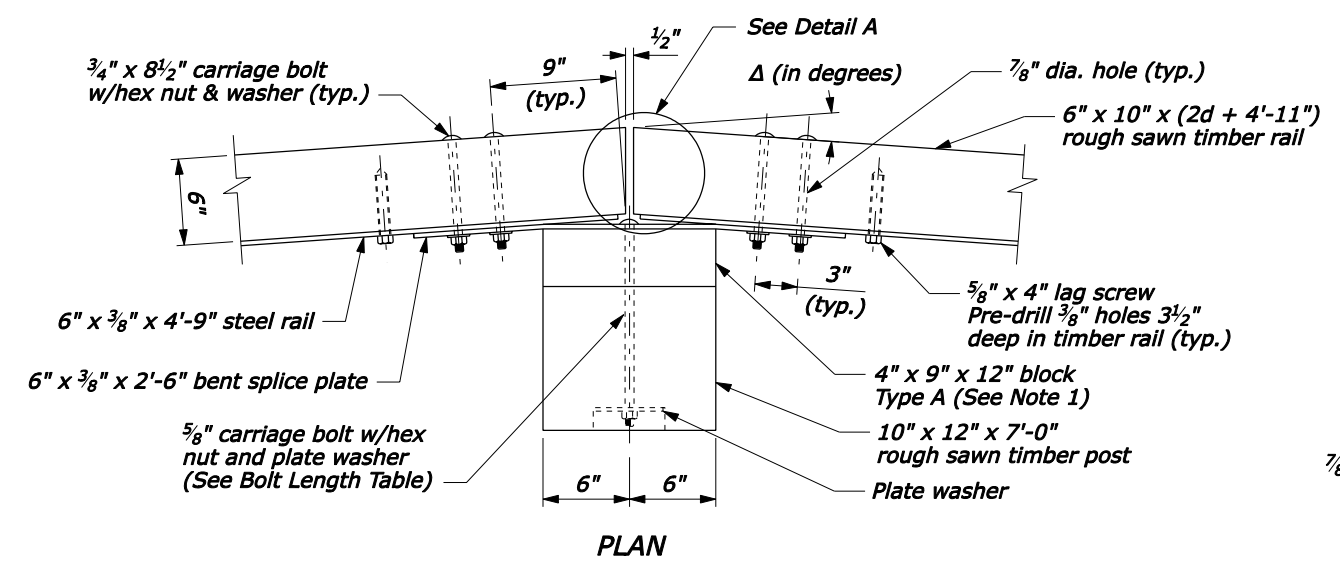
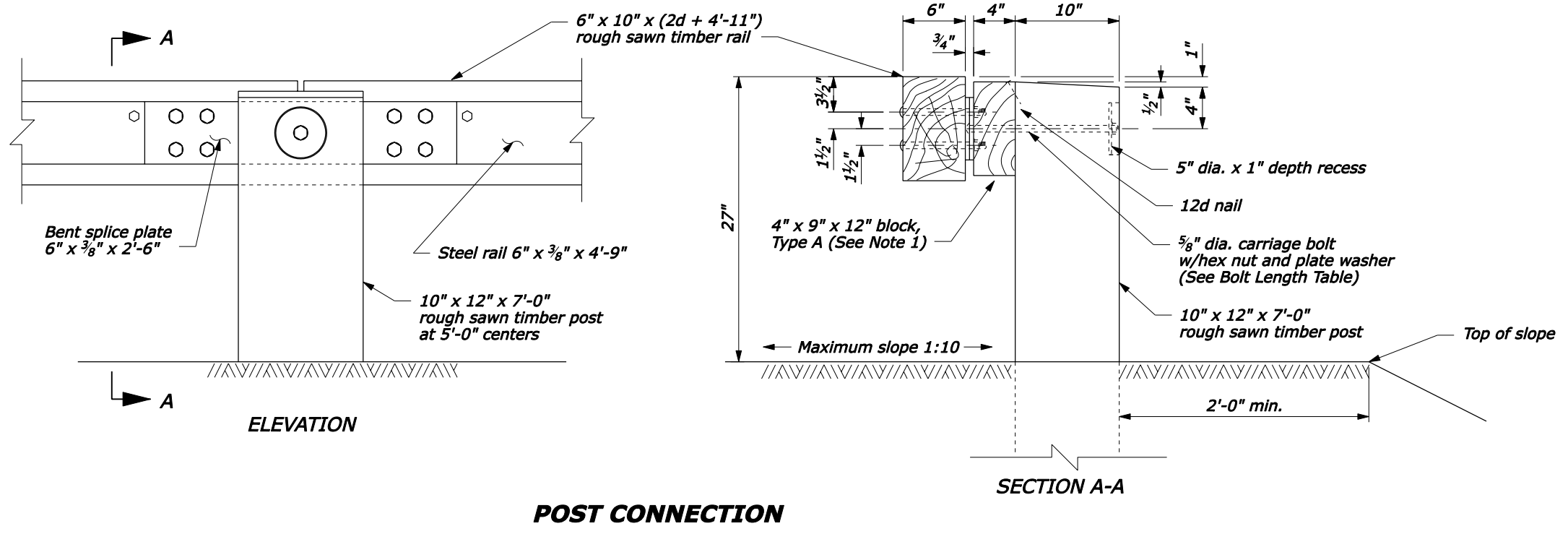


- NOTE:**
1. Use the Type A, blocked-out, system or the Type B, non-blocked-out, system as specified.
  2. Use the weathering steel for all structural steel and fastener hardware.
  3. Furnish shop bent splice plates. Use the minimum bend angle shown in the table below.
  4. See Sheet 2 of 2 for Plan View Layout.



Radius R ft	Δ/2 degrees	d in
20	7.18	3/4
25	5.74	5/8
30	4.78	1/2
35	4.10	7/16
40	3.58	3/8
45	3.18	1/3
50	2.87	5/16
55	2.61	1/4
60	2.39	1/4
65	2.20	1/4
70	2.05	1/4
over 70	flat	0

Type A (Block-out)	Type B (No Block-out)
15"	11"



NO SCALE

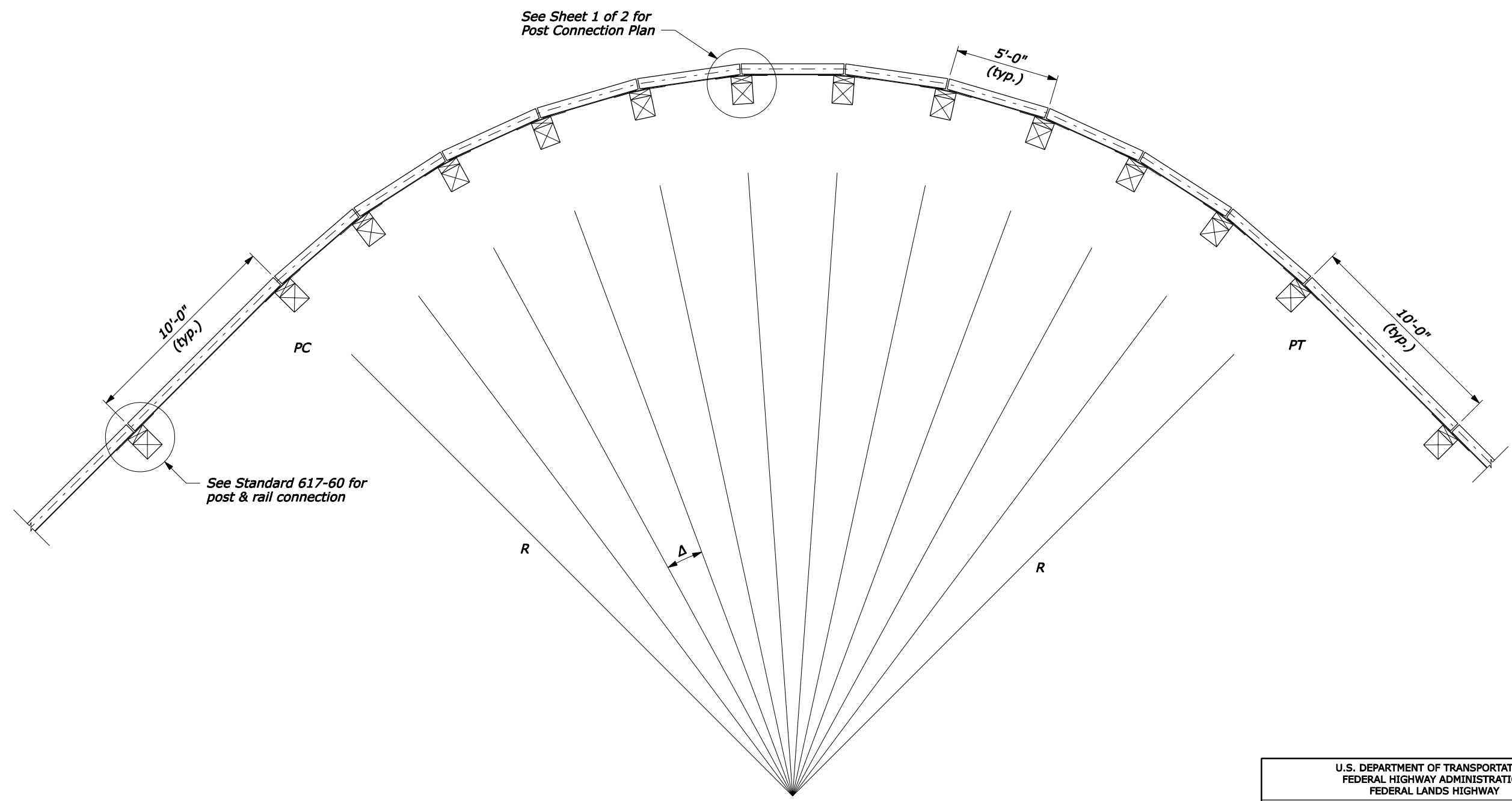
U.S. DEPARTMENT OF TRANSPORTATION  
FEDERAL HIGHWAY ADMINISTRATION  
FEDERAL LANDS HIGHWAY

U.S. CUSTOMARY STANDARD  
**STEEL-BACKED TIMBER GUARDRAIL  
AROUND CIRCULAR CURVES  
70 FOOT RADIUS AND BELOW**  
Sheet 1 of 2

STANDARD APPROVED FOR USE 6/2005	STANDARD
REVISED:	617-63

**NOTE:**

1.  $\Delta$  is the central angle which subtends a 5'-0" chord.
2.  $R$  is measured from the center of the circle to the back surface of the rough sawn timber rail.



**PLAN VIEW LAYOUT**

NO SCALE

U.S. DEPARTMENT OF TRANSPORTATION FEDERAL HIGHWAY ADMINISTRATION FEDERAL LANDS HIGHWAY	
U.S. CUSTOMARY STANDARD <b>STEEL-BACKED TIMBER GUARDRAIL AROUND CIRCULAR CURVES 70 FOOT RADIUS AND BELOW</b> Sheet 2 of 2	
STANDARD APPROVED FOR USE 6/2005	STANDARD
REVISED:	617-63

F:\StdDraw\std61763.dgn [US Customary] 16-Jun-2005 04:29 PM