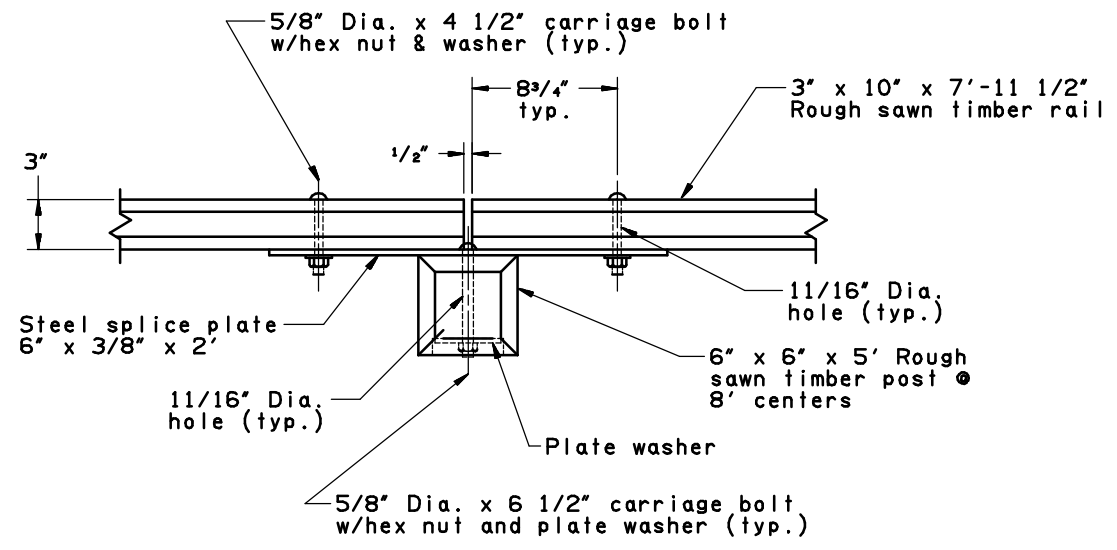
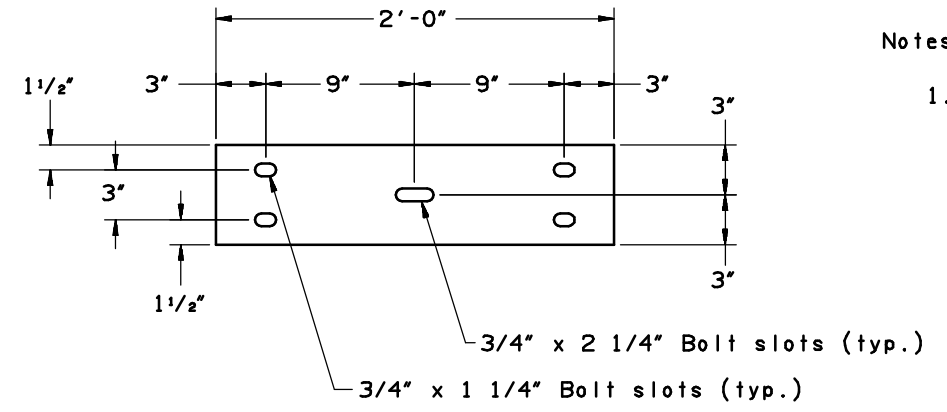


REVISIONS				
REV	DESCRIPTION	DATE	BY	CHK/APP
-	-	-	-	-

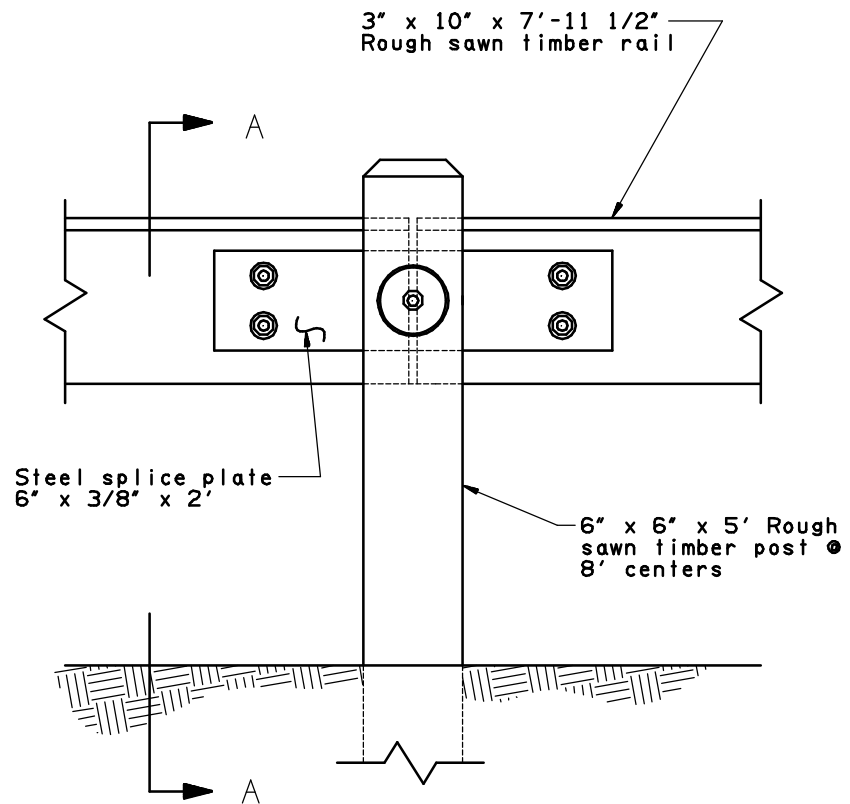


**POST CONNECTION PLAN**

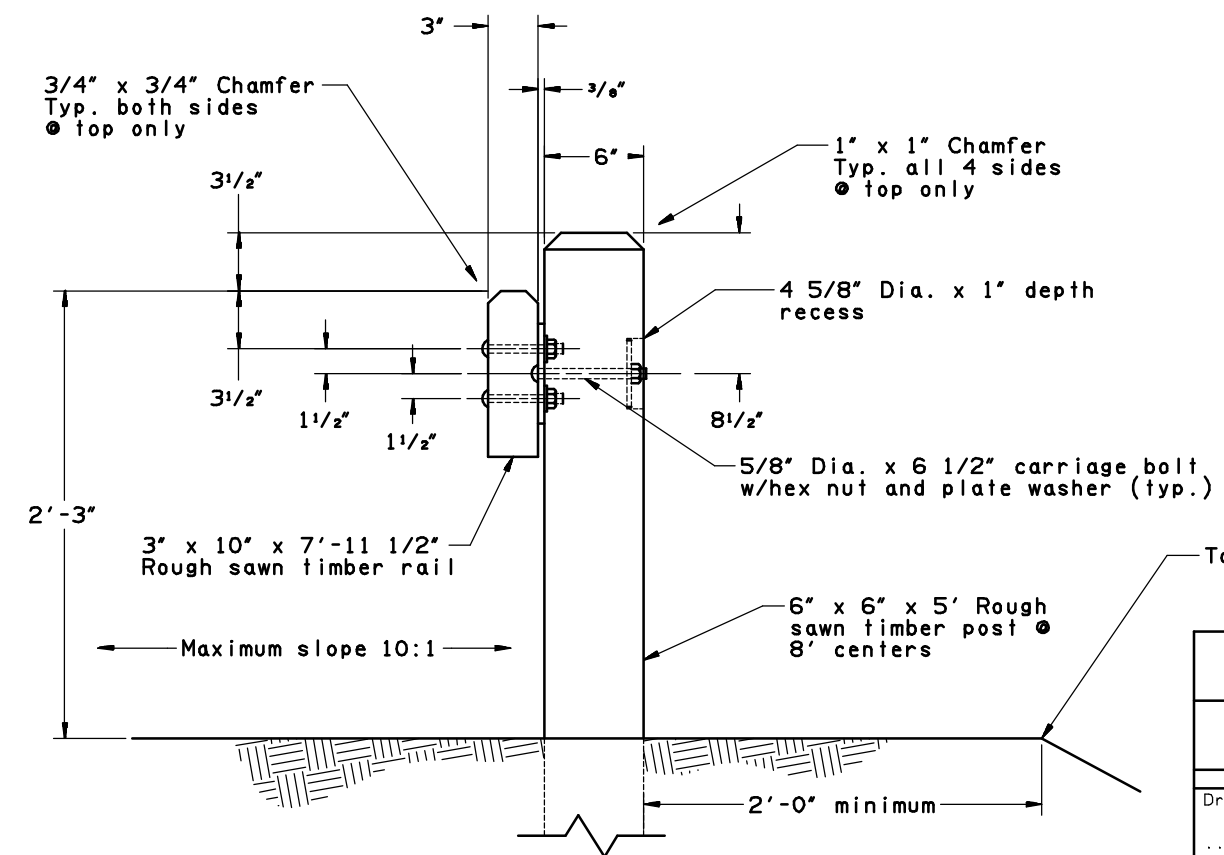


**STEEL SPLICE PLATE DETAIL**  
6" x 3/8" x 2'-0"

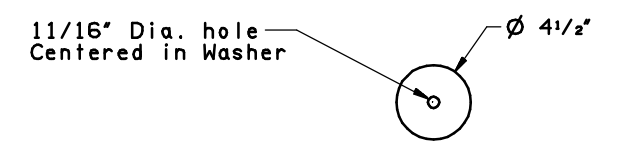
Notes:  
1. Use weathering steel for all structural steel and fastener hardware as specified.



**POST CONNECTION ELEVATION**



**SECTION A-A**



**Plate Washer Detail**  
4 1/2" Dia. x 1/4"

PROPRIETARY DATA				
THE COR-TENN COMPANY				
Drawn	.....	TITLE	PARK RAIL WOOD POST	
Checked	.....	SIZE	CAT	DWG NO.
Engineering	.....	D	.	RES 1001-01
		NO SCALE		SHEET 1 OF 1